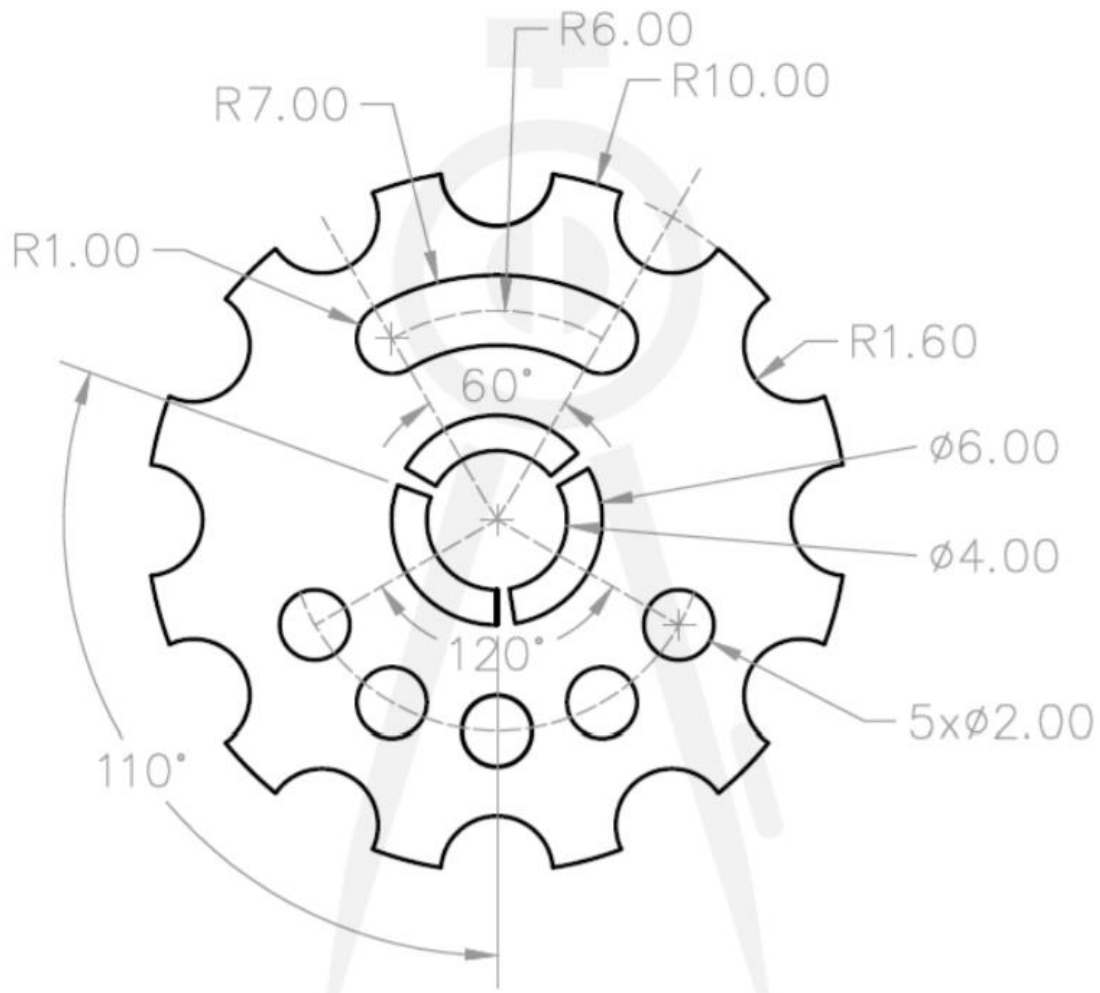


AME 2210 Mechanical Engineering Drawing

ASSIGNMENT - 2

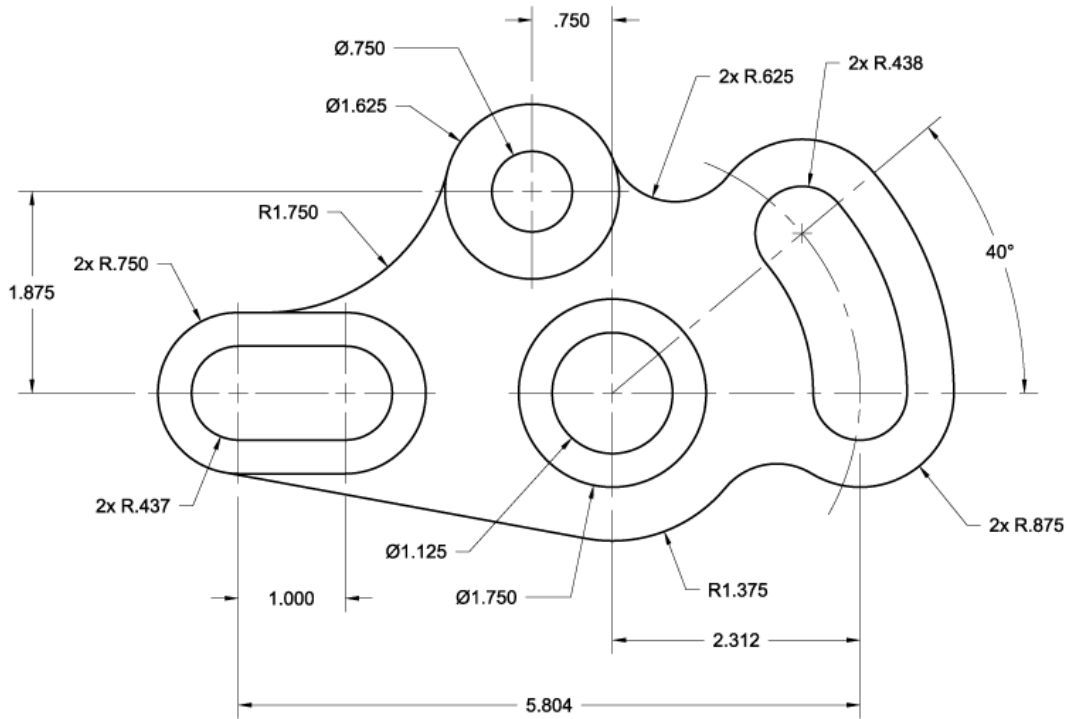
Exercise (A)

Note: All dimensions are in 'inches'



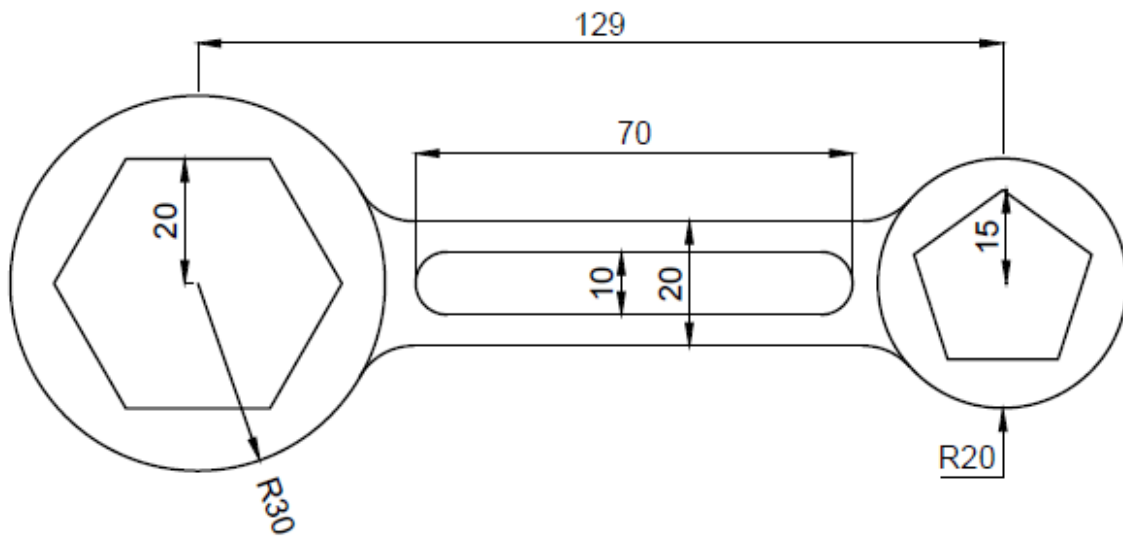
Exercise (B)

Note: All dimensions are in 'inches'



Exercise (C)

Note: All dimensions are in 'mm'



Exercise (D)

Note: All dimensions are in 'mm'

