

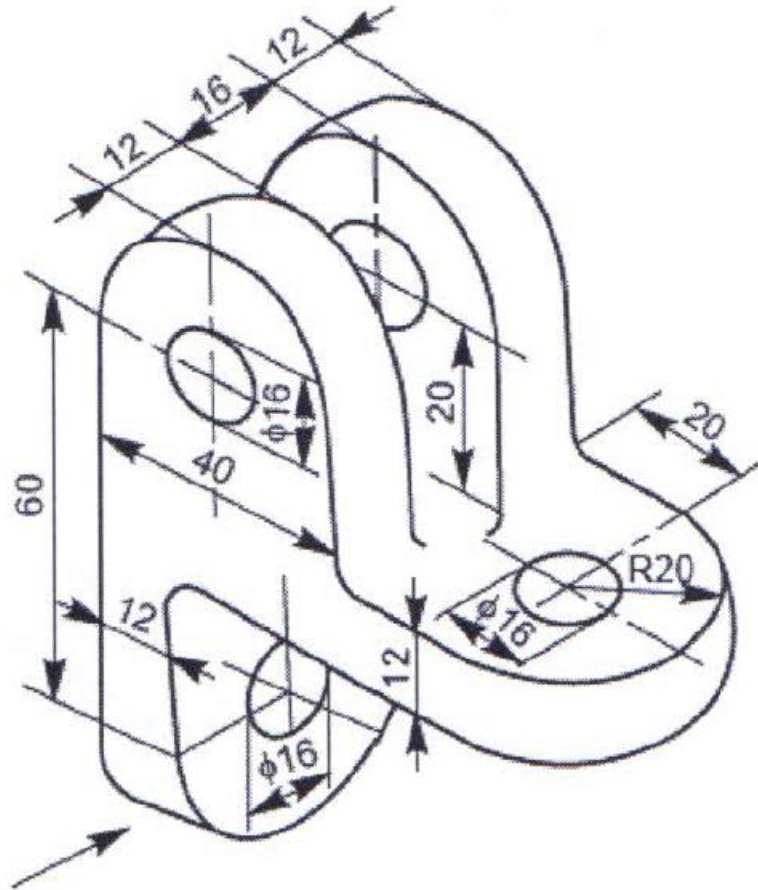
AME 2210 Mechanical Engineering Drawing

ASSIGNMENT - 4

Exercise (A)

Note: All dimensions are in 'mm'

Draw a 3D Model and make 2D drawing in both first and third angle projections.



Exercise (B)

Note: All dimensions are in 'inches'

Draw a 3D Model and make 2D drawing in both first and third angle projections.

