



Remaining Time: 15 minutes, 14 seconds.

طالبات

Question Completion Status:

Take Test: Sample Test

Test Information

Description This is a sample test. The objective of it is to familiarize you with the exam. It wont be graded.

Instructions Please choose the correct answer for each question. You can also include an optional justification for your choices at the end of the exam (or uploading them). The justification will not be corrected if you choose the right answer so do not waste your time if you are sure about your choice. The justification could help in giving a partial grade if your choice was wrong but you were able to convince me about your reasoning.

Timed Test This test has a time limit of 1 hour.This test will save and submit automatically when the time expires. Warnings appear when **half the time, 5 minutes, 1 minute, and 30 seconds** remain.

Multiple Attempts Not allowed. This test can only be taken once.

Force Completion This test can be saved and resumed at any point until time has expired. The timer will continue to run if you leave the test.

Your answers are saved automatically.

QUESTION 1

1 points

Saved

In CRC, if a receiver divides a codeword with a divisor and find the remainder to be 00000, The receiver will:

- I. Change the divisor
- II. Detect error
- III. Accept the frame
- IV. Augment the data

QUESTION 2

1 points

Saved

Which of the following is an example of decapsulation:

- I. Adding TCP header to data received from HTTP
- II. Removing TCP header from the data received from IP
- III. Both of the above is correct
- IV. None of the above is correct

QUESTION 3

1 points

Saved

If one of the frame's bits flipped from 1 to 0 as a result of transmitting the frame in an unreliable transmission medium, what type of error is this?

- I. Burst error
- II. Slow error
- III. Single-bit error
- IV. Fast error

Click Save and Submit to save and submit. Click Save All Answers to save all answers.

Remaining Time: 15 minutes, 14 seconds.

Question Completion Status:

- III. Power switching
- IV. Virtual circuit packet switching

QUESTION 5

1 points

Saved

When a packet crosses a router, which addresses inside the packet change?

- I. Source and destination MAC addresses
- II. Source and destination IP addresses
- III. Destination IP address and source MAC address
- IV. Source IP address and destination MAC address

QUESTION 6

1 points

Saved

A frame sent by data link layer protocol contains which of the following control information:

- I. Transport layer control information (encapsulated)
- II. Network layer control information (encapsulated)
- III. Data link layer control information
- IV. All of the above

QUESTION 7

1 points

Saved

The physical links that physically connects communicating hosts:

- I. Protocols
- II. Messages
- III. Transmission Media
- IV. Layers

QUESTION 8

1 points

Saved

Which of the following is an example of decapsulation:

- I. Adding IP header to data received from TCP
- II. Removing IP header from the data received from a frame
- III. Both of the above is correct
- IV. None of the above is correct

QUESTION 9

1 points

Save Answer

The networking device that forwards signals received from one of its ports to all other ports without being able to understand any control information included in the transmitted signals (a device that can't split the collision domain of connected hosts)

- I. A router
- II. A hub
- III. A switch / A bridge
- IV. An access point

Click Save and Submit to save and submit. Click Save All Answers to save all answers.

Remaining Time: 15 minutes, 14 seconds.

Question Completion Status:

- III. Dataword
- IV. Syndrome

QUESTION 11

1 points

Save Answer

Which of the following network nodes typically implement network layer protocols such as IP?

- I. Hubs
- II. Routers
- III. Switches / bridges
- IV. Access points

QUESTION 12

1 points

Save Answer

Which of the following switching approaches is used in telephone networks?

- I. Packet Switching
- II. No Switching
- III. Circuit Switching
- IV. Fast Switching

QUESTION 13

1 points

Save Answer

An example of a hierarchical addressing scheme that provides information about the network that contain the address

- I. IP address
- II. URL
- III. Port address
- IV. MAC address

QUESTION 14

1 points

Save Answer

An example of a flat addressing scheme that does not carry any information about the network that contains the address

- I. Port address
- II. URL
- III. IP address
- IV. MAC address

QUESTION 15

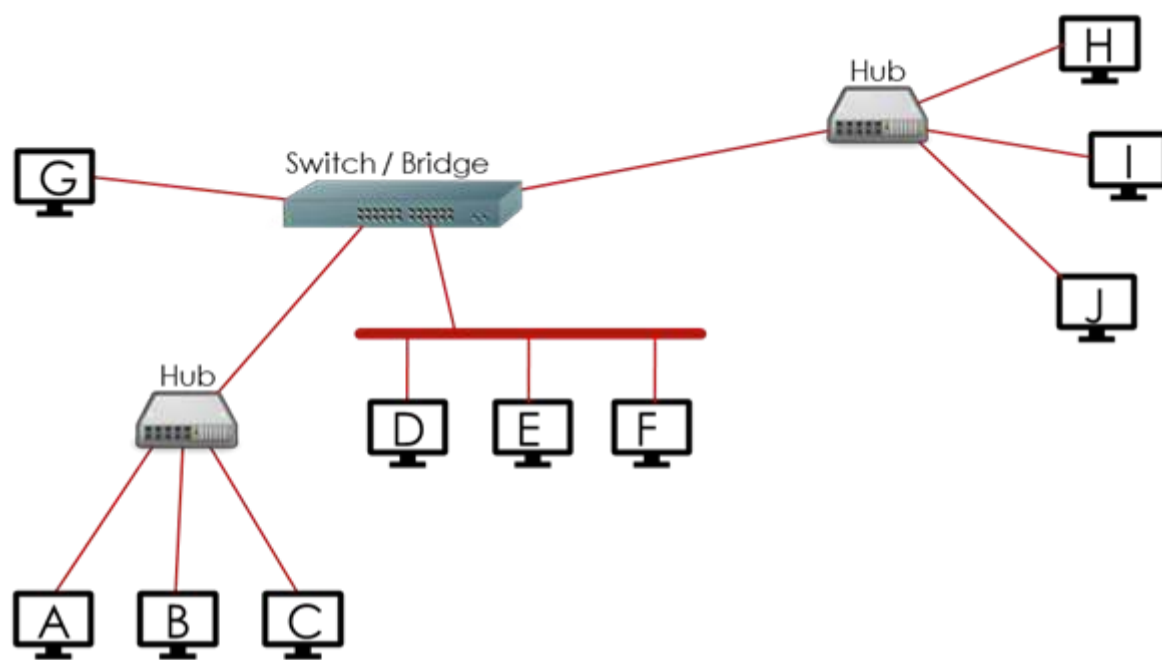
1 points

Save Answer

Click Save and Submit to save and submit. Click Save All Answers to save all answers.

Remaining Time: 15 minutes, 14 seconds.

Question Completion Status:



In the network represented by the figure above. If host A sends a frame to host H, which of the following will see the frame beside H? (Assume that the switch already have learned the addresses of all hosts in the network)

- I. Host B
- II. Host G
- III. Both hosts mentioned in the previous choices
- IV. None of the choices are correct

QUESTION 16

1 points

Save Answer

A 10 Mbps link between a video server and a client is established. If the distance between the client and the server is 750 Kilometer and if receiving a video file has a latency of 10 seconds. Find the size of the video file (assume that the speed of light is 2.8×10^8 m/s and no queuing delay. Note: 1 Kilometer = 10^3 meter)

- I. 100 Megabit
- II. 300 Megabit
- III. 500 Megabit
- IV. 700 Megabit

QUESTION 17

1 points

Save Answer

The destination MAC address "17:18:19:10:11:12" represents

- I. A unicast address
- II. A multicast address
- III. A broadcast address
- IV. An IP address

QUESTION 18

1 points

Saved

What is the minimum hamming distance for the codeword set {000000, 010011, 101100, 111111}

- I. 1
- II. 3
- III. 5
- IV. 6

Click Save and Submit to save and submit. Click Save All Answers to save all answers.

Remaining Time: 15 minutes, 14 seconds.

Question Completion Status:

- III. A random time between 0 and 255 time unit
- IV. A random time between 0 and 511 time unit

QUESTION 20

1 points

Saved

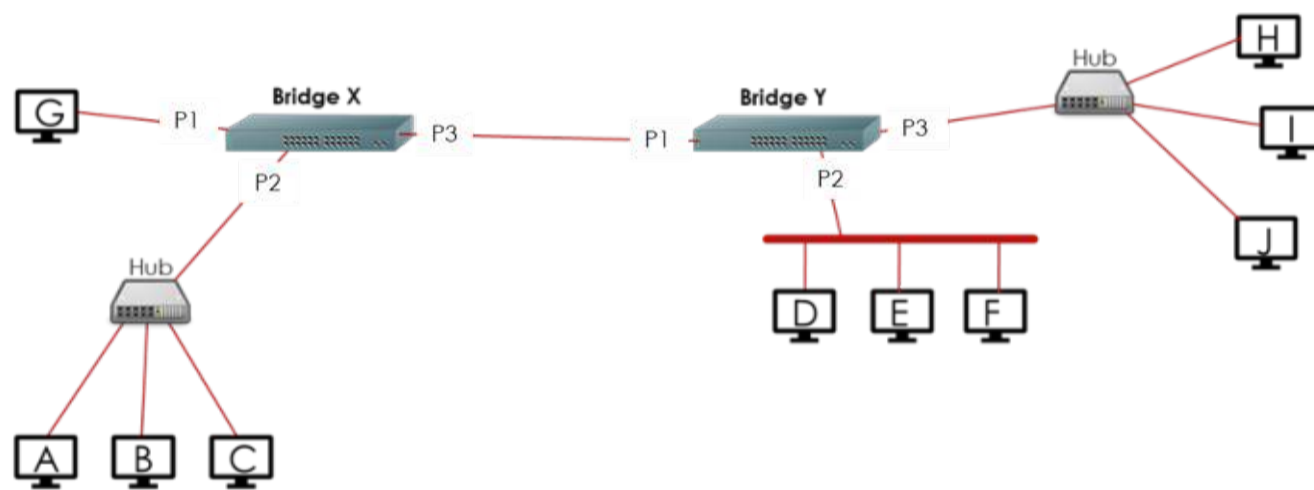
A 10 Mbps half-duplex link between two stations is established. If the distance between the two stations is 20 Km and if the stations agreed to use CSMA/CD to access the link, what is the minimum frame size that a sender must send to detect any potential collision? (Assume that the speed of light is 2.8×10^8 m/s. Note: 1 Km = 10^3 m, 1 Mbps = 2^{20} bit/s)

- I. 1130 bits
- II. 1498 bits
- III. 2275 bits
- IV. 4688 bits

QUESTION 21

1 points

Saved



If Bridge X and Bridge Y are used to link the four LAN segments as shown in the picture. If both bridges initially have no entries in their forwarding table, what would the forwarding table of **Bridge X** look like after the following frames are sent in sequence:

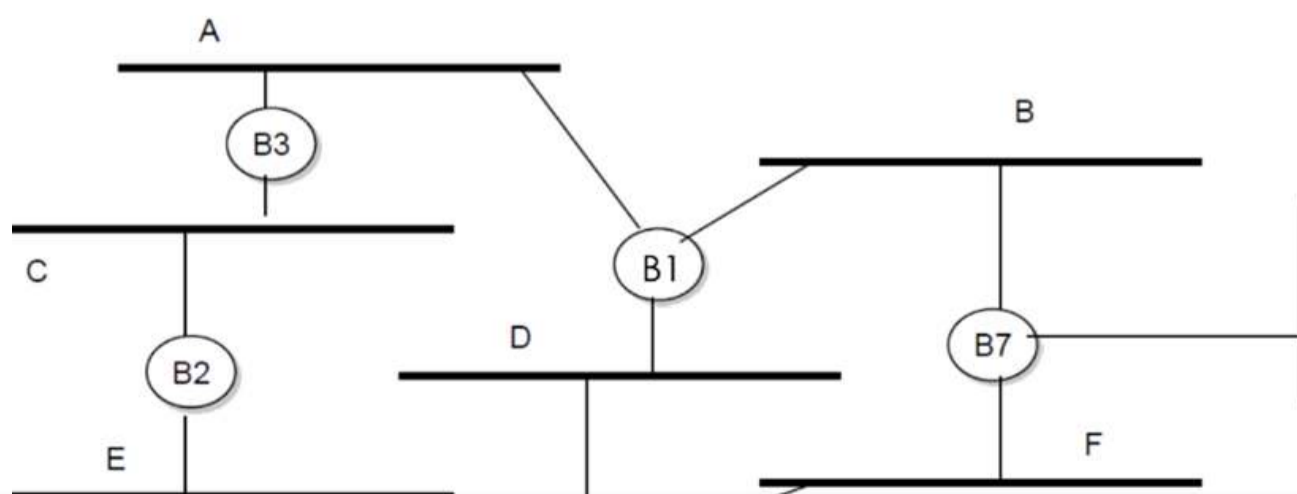
<Src=G, Dest=C> then <Src=D, Dest=C> then <Src=A, Dest=G>

- I. Bridge X forwarding table: <Host G, Port 1>
- II. Bridge X forwarding table: <Host G, Port 1>, <Host D, Port 3>
- III. Bridge X forwarding table: <Host G, Port 1>, <Host D, Port 3>, <Host A, Port 2>
- IV. Bridge X forwarding table: <Host G, Port 1>, <Host D, Port 3>, <Host A, Port 2>, <Host C, Port 2>

QUESTION 22

1 points

Saved



Click Save and Submit to save and submit. Click Save All Answers to save all answers.

Remaining Time: 15 minutes, 14 seconds.

Question Completion Status:

In the figure above, which bridge is considered the designated bridge for LAN E after the spanning tree protocol finishes building the tree?

- I. B1
- II. B5
- III. B3
- IV. B2

QUESTION 23

1 points

Saved

Let's assume that a configuration BPDU has the following information: [Root ID, cost to reach the root, Bridge ID]. If a bridge B3 has the configuration BPDU [B2,5,B3]. How will B3 change this BPDU after receiving B2's BPDU that has the following information [B1,7,B2]

- I. B3 will keep his BPDU as [B2,5,B3]
- II. B3 will update its BPDU to [B1,7,B3]
- III. B3 will update its BPDU to [B1,8,B3]
- IV. B3 will update its BPDU to [B1,8,B2]

QUESTION 24

1 points

Save Answer

What is the checksum of an IP header that has the sum of "C4BD" in hexadecimal when adding every 16-bit word of it together?

- I. 3B43 hexadecimal
- II. DB4C hexadecimal
- III. 3B42 hexadecimal
- IV. 24B3 hexadecimal

QUESTION 25

1 points

Saved

How many bits belong to the network ID part of the following CIDR address "170.50.4.0/22"?

- I. 170
- II. 4
- III. 10
- IV. 22

QUESTION 26

1 points

Saved

What is the CIDR address that represents the addresses between 198.125.12.0 and 198.125.15.255?

- I. 198.125.15.0/22
- II. 198.125.12.0/24
- III. 198.125.12.0/22
- IV. 198.125.15.0/24

QUESTION 27

1 points

Saved

If an organization is given the CIDR address 195.50.64.0/18, How many subnets can the organization have if each subnet needs 1022 valid host addresses? (Hint: this depends on the number of bits that will be used to distinguish the subnets)

Click Save and Submit to save and submit. Click Save All Answers to save all answers.

Remaining Time: 15 minutes, 14 seconds.

Question Completion Status:

QUESTION 28

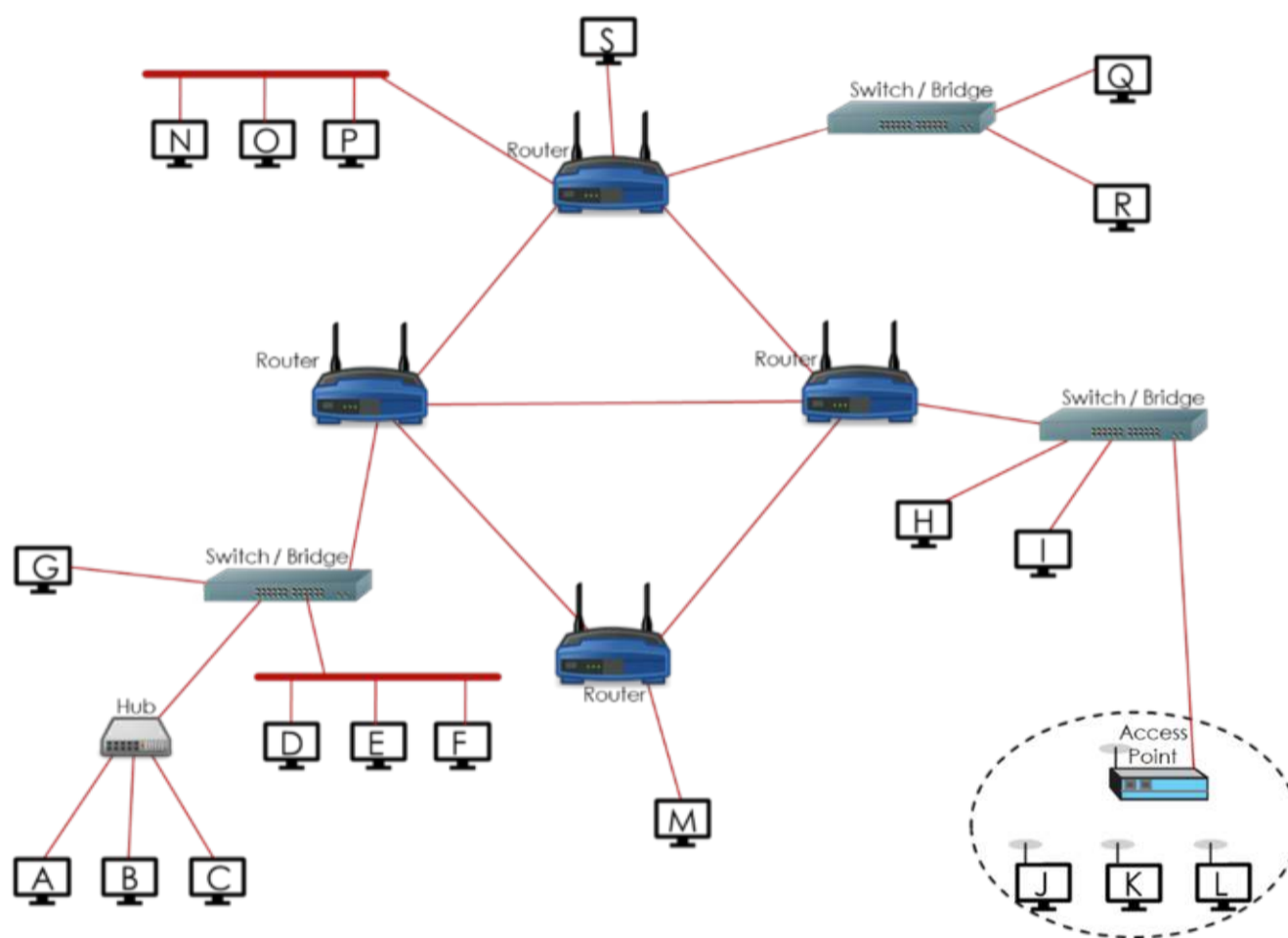
1 points Saved

Which CIDR address from the following has the longest prefix matching with the address 215.200.50.96?
Note: 96 in decimal = 01100000 in binary

- I. 215.200.50.48/28
- II. 215.200.50.64/26
- III. 215.200.50.32/27
- IV. 215.200.50.128/25

QUESTION 29

1 points Saved

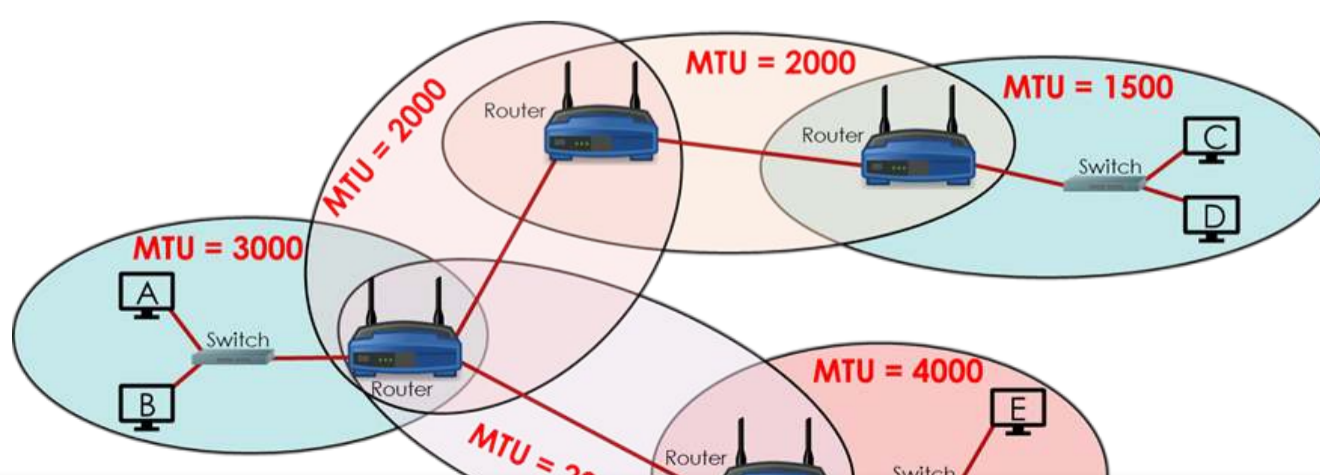


If Host Q send an ARP query packet, which of the following hosts will see the packet?

- I. P
- II. R
- III. S
- IV. All of the hosts above

QUESTION 30

1 points Saved



Click Save and Submit to save and submit. Click Save All Answers to save all answers.

Remaining Time: 15 minutes, 14 seconds.

Question Completion Status:

- III. 2
 IV. 3


QUESTION 31

0 points

Save Answer

(Optional) Write your justification for the choices you have made

For the toolbar, press ALT+F10 (PC) or ALT+FN+F10 (Mac).

B *I* U ~~S~~ Paragraph ▼ Arial ▼ 14px ▼ ☰ ▼ ☷ ▼ A ▼  ▼

*I*_x | ✖ | 📄 | 📁 | 🔍 | ↶ | ↷ | ☰ | ☷ | ☷ | ☷ | ...

P 0 WORDS POWERED BY TINY

QUESTION 32

0 points

Save Answer

You can upload your justification file here

Attach File

Browse Local Files

Browse Content Collection

Click Save and Submit to save and submit. Click Save All Answers to save all answers.